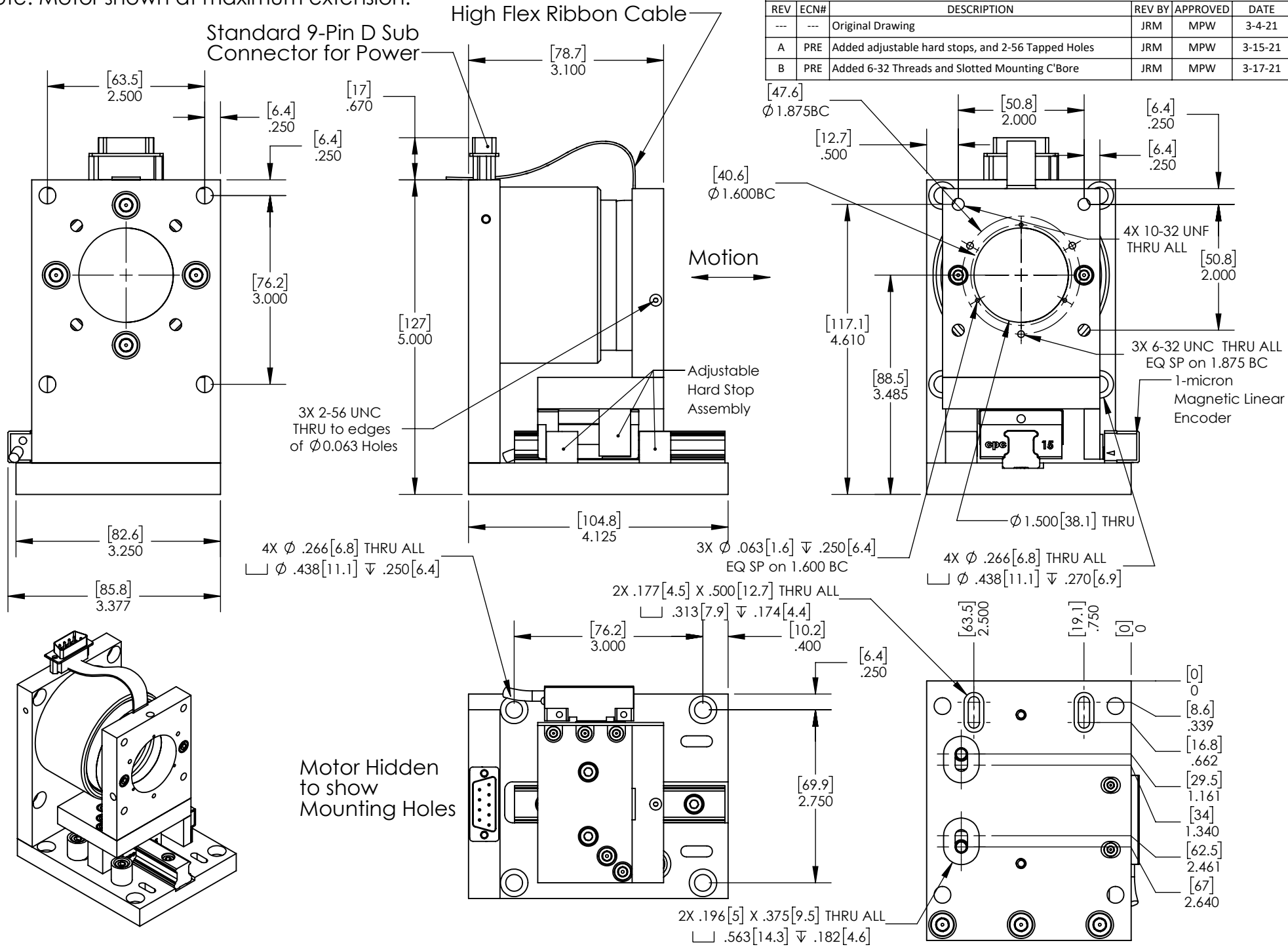


Note: Motor shown at maximum extension.

REVISION TABLE

REV	ECN#	DESCRIPTION	REV BY	APPROVED	DATE
---	---	Original Drawing	JRM	MPW	3-4-21
A	PRE	Added adjustable hard stops, and 2-56 Tapped Holes	JRM	MPW	3-15-21
B	PRE	Added 6-32 Threads and Slotted Mounting C'Bore	JRM	MPW	3-17-21



1

2

3

4

5

A

A

VOICE COIL POSITIONING STAGE SPECIFICATIONS

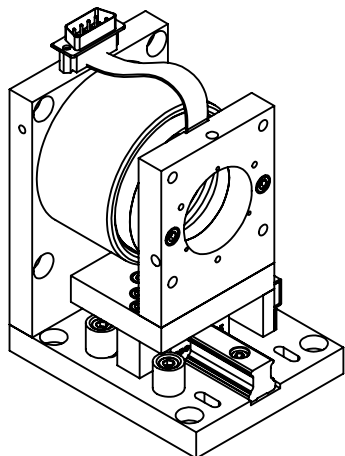
Motor P/N	NCC03-28-090-2H	
Device Type	Moving Coil	
Stroke	0.25 in	6.4 mm
Encoder Resolution	1-micron (Magnetic)	
Bearing Type	Linear Bearing	
Moving Mass	1.2 lbs	545 grams
Total Mass	4.2 lbs	1900 grams
Resistance @ 20C	3.50 ohms \pm 0.5 ohms	
Inductance @ 20C	2.5 mH \pm 0.5 mH	
Electrical Time Constant	0.71 msec	
Motor Constant	1.64 lbs/sqrt(watt)	7.31 N/sqrt(watt)
Force Constant	3.1 lbs/amp	14 N/amp
Back EMF	0.32 V/ips	14 V/m/sec
Force @ 100% Duty	9.0 lbs	40 N
Power @ 100% Duty	30 watts	
Current @ 100% Duty	2.9 amps	
Force @ 10% Duty	27 lbs	120 N
Power @ 10% Duty	270 watts	
Current @ 10% Duty	8.8 amps	

B

B

C

C



D

D

Note: Motor shown at maximum extension.



H2W Technologies, Inc.
Santa Clarita, CA 91350 USA
Tel: (661) 291-1620
www.h2wtech.com

These drawings and specifications are the property of H2W Technologies, Inc. They are issued in confidence and shall not be reproduced, copied, or used without written permission from H2W Technologies, Inc.

UNLESS SPECIFIED OTHERWISE:
All dimensions are in inches
Standard Tolerances are as follows
.XXX \pm .005 ANGLES \pm .1°
.XX \pm .010 FILLETS .010
.X \pm .020 CORNERS .010
Remove All Burrs and Sharp Edges

**FOR
REFERENCE
ONLY**

MATERIAL

FINISH

TITLE

VCS03-100-LB-01-MCH

DWG #

31-0883

REV

B

DATE 3-4-21

SHEET 2 of 2